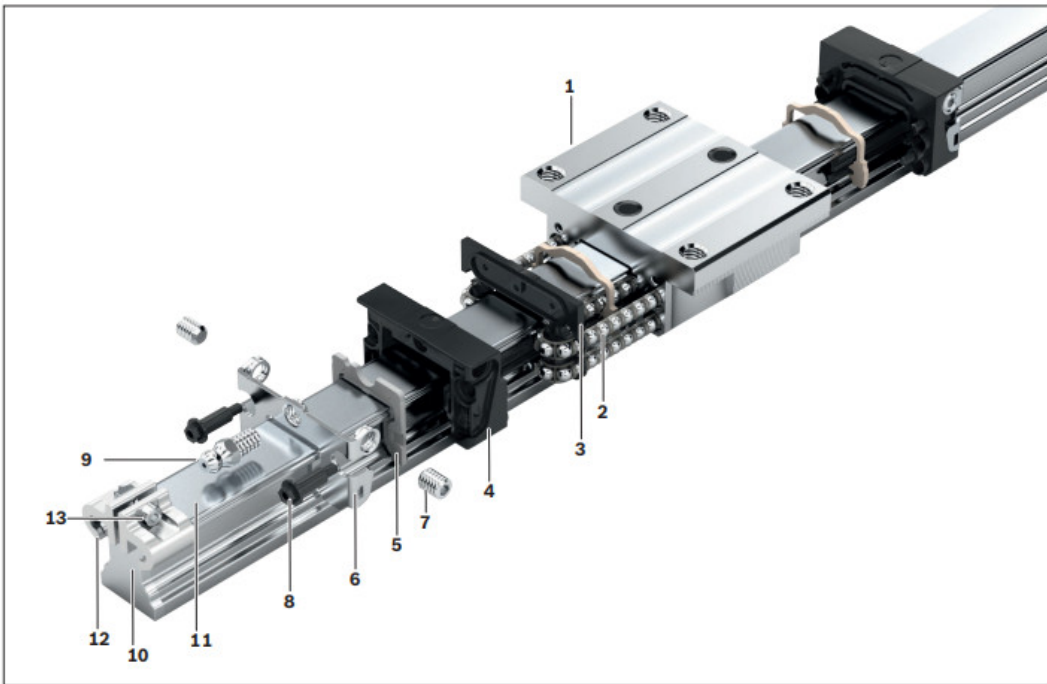


material.Offers corro? Sion protection.The steel.The
?
?
?
?

E: NR II

?

F: Resist CR coating.The
?
? versions.As
NR



Item	Part	Ball runner block					
		A Steel	B Steel (high-speed)	C Aluminum	D Resist NR	E Resist NR II	F Resist CR
1	Ball runner block body	Heat-treated steel	Heat-treated steel	Wrought aluminum alloy	Corrosion-resistant steel 1.4122	Corrosion-resistant steel 1.4122	Heat-treated steel, chrome-plated
2	Balls	Anti-friction bearing steel	Si ₃ N ₄	Anti-friction bearing steel	Anti-friction bearing steel	Corrosion-resistant steel 1.4112	Anti-friction bearing steel
3	Recirculation plate	Plastic TEE-E					
4	Ball guide	Plastic POM (PA6.6)					
5	Sealing plate	Plastic TEE-E					
6	Threaded plate	Corrosion-resistant steel 1.4306					
7	Set screw	Corrosion-resistant steel 1.4301					
8	Flanged screws	Carbon steel				Corrosion-resistant steel 1.4303	Carbon steel
9	Lube nipple					Corrosion-resistant steel 1.4305	
Item	Part	Ball guide rail					
10	Ball guide rail	Heat-treated steel				Corrosion-resistant steel 1.4116	Heat-treated steel
11	Cover strip	Corrosion-resistant steel 1.4310					
12	Strip clamp	Anodized aluminum					
13	Clamping screw with nut	Corrosion-resistant steel 1.4301					